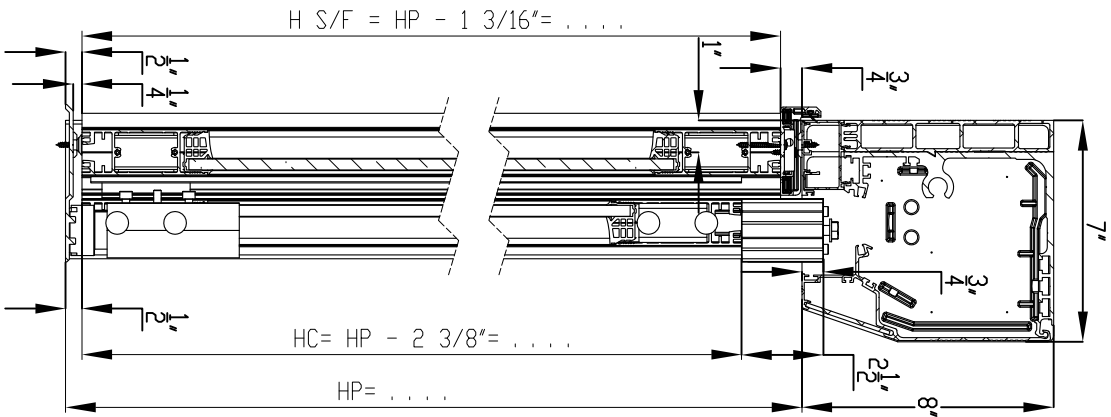
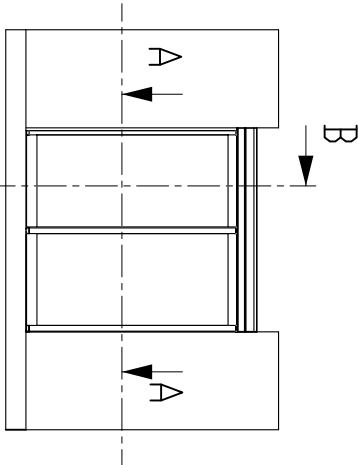


CUT A-A
SCALE 1:6.25



CUT B-B
SCALE 1:6.25



Rev	A	Date	20/12/2007	Modification	PROFILS + FERMULES	Drawn By	TUGNET JM	Checked by	PIN P
Date		27/12/2007		Scale	1:50	Format / Size	A3	Code Article	/
Material	/			Title	DIVA STORM SLIDING AUTOMATIC DOOR 2 DOOR CONFIGURATION LEFT OPENING (OSLI)				
Tolerances	/			File:	5720-C SURFACE APPLICATION				
Observation / Comment	/							Pin / Dwg N°	PE 5718 / A
								Ind/Rev	

